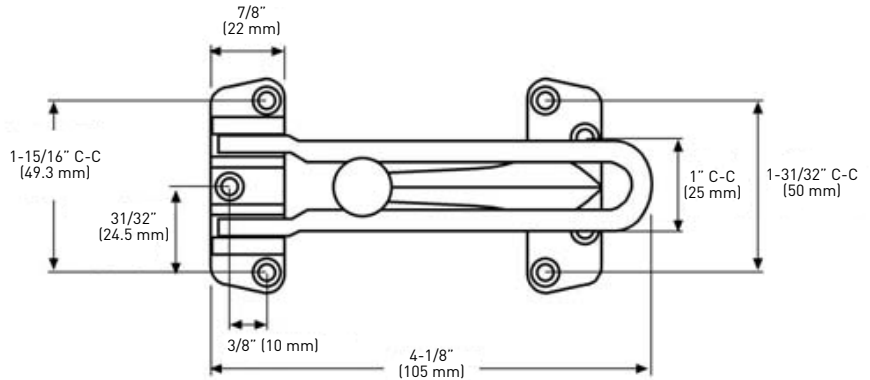
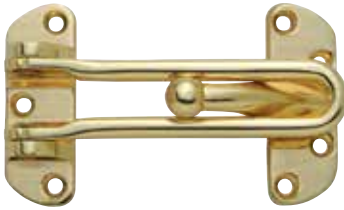


DOOR SECURITY



DOOR GUARD

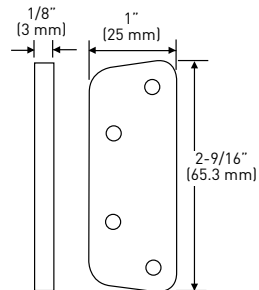
- > ZINC DIECAST CONSTRUCTION
- > ALLOWS PARTIAL DOOR OPENING WHILE DETERING FORCED ACCESS
- > COMPLETE WITH SCREWS

| POLY BAGGED WITH UPC | 3 POLISHED BRASS | DULL CHROME | CASE PACK |
|----------------------|------------------------|----------------|--------------|
| DOOR GUARD | 25-3080B | 25-3080DC | 10 |

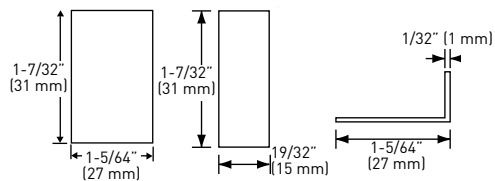


DOOR GUARD SHIM

- > BLACK RUBBER
- > FOR USE WITH 25-3080 DOOR GUARD



| POLY BAGGED WITH UPC | BLACK RUBBER | CASE PACK |
|----------------------|-----------------|--------------|
| 3 mm (1/8") THICK | 25-3081 | 50 |



DOOR FRAME PROTECTOR

- > PROTECTS DOOR FRAME FROM OPEN ARM OF DOOR GUARD
- > ALUMINUM

| POLY BAGGED WITH UPC | 3 POLISHED BRASS | DULL CHROME | CASE PACK |
|----------------------|---------------------|----------------|--------------|
| DOOR FRAME PROTECTOR | 25-B3082B | 25-B3082DC | 50 |