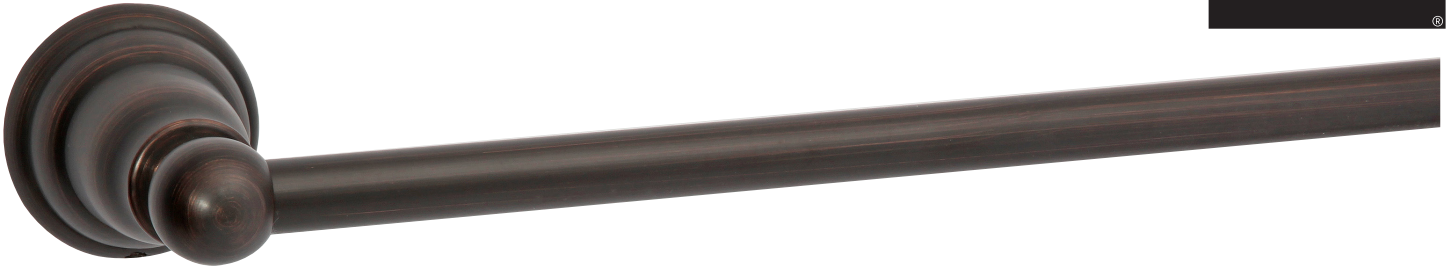


KENSINGTON

BATHWARE

Taymor

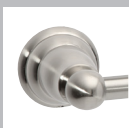


AVAILABLE FINISHES

OIL RUBBED BRONZE
US10B



SATIN NICKEL
US15



FEATURES

- CONCEALED SURFACE MOUNT
- LIFETIME WARRANTY
- MOUNTING HARDWARE AND INSTALLATION INSTRUCTIONS INCLUDED



KENSINGTON

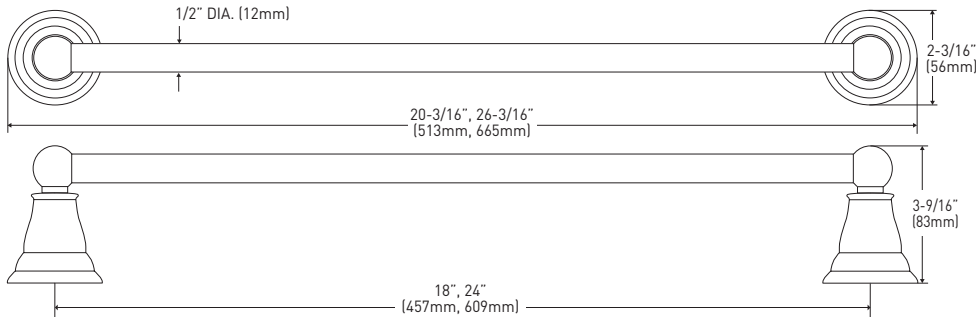
BATHWARE

CONSTRUCTION: ZAMAC (DIECAST ZINC ALLOY) AND ELM (FINE-GRAINED WOOD)

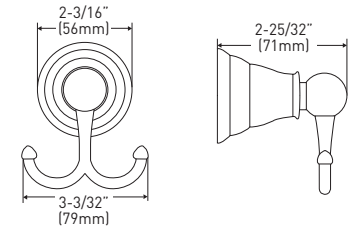
INCLUDES MOUNTING PLATES — 1-9/16" (40mm) x 1-13/16" (30mm); NYLON ANCHORS AND STEEL PHILLIPS HEAD SCREWS — #8 x 1-1/4" (32mm)

		TOWEL BAR TUBE SIZE	TOWEL BAR TUBE MATERIAL	TOWEL RING TUBE MATERIAL	STANDARD PAPER HOLDER ROLLER MATERIAL	PAPER HOLDER/ TOWEL HOLDER MATERIAL
US10B	OIL RUBBED BRONZE	1/2" (12mm)	STAINLESS STEEL	STAINLESS STEEL	PLASTIC	ZINC ALLOY
US15	SATIN NICKEL	1/2" (12mm)	STAINLESS STEEL	STAINLESS STEEL	PLASTIC	ZINC ALLOY

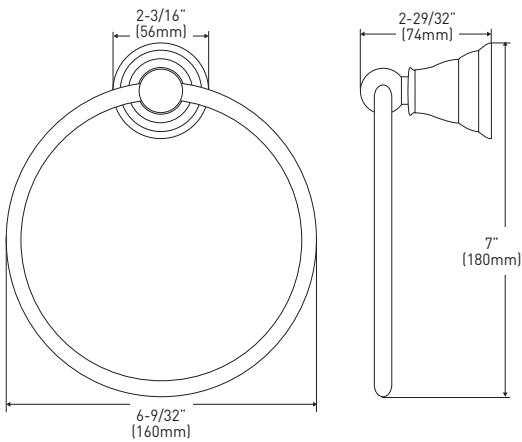
TOWEL BAR



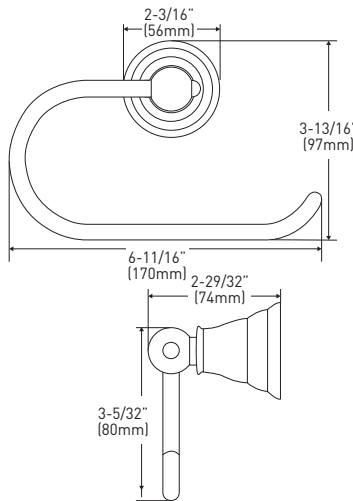
DOUBLE ROBE HOOK



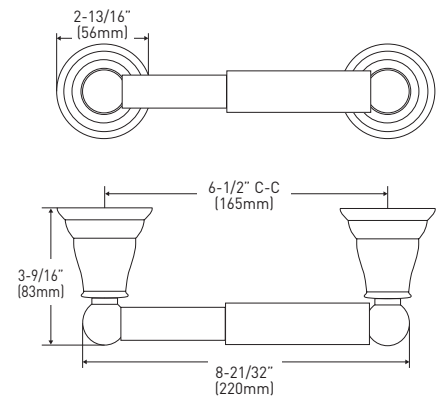
TOWEL RING



PAPER/TOWEL HOLDER



STANDARD PAPER HOLDER



MEASUREMENTS SUBJECT TO A 3% VARIANCE.

PHOTO	DESCRIPTION	OIL RUBBED BRONZE US10B	SATIN NICKEL US15	CASE PACK
	18" x 1/2" TOWEL BAR 24" x 1/2" TOWEL BAR	04-14218ORB 04-14224ORB	04-14218SN 04-14224SN	10 10
	DOUBLE ROBE HOOK	04-14202ORB	04-14202SN	10
	TOWEL RING	04-14204ORB	04-14204SN	10
	STANDARD PAPER HOLDER	04-14208ORB	04-14208SN	10
	PAPER HOLDER/TOWEL HOLDER	04-14248ORB	04-14248SN	10