

# STRAIT

## PREMIER SERIES HANDLESET



EQUINOX  
INSIDE LEVER

### SPECIFICATIONS

- > INCLUDES EQUINOX INTERIOR LEVER (VEGA LEVER FOR MATTE BLACK)
- > EASY TO INSTALL WITH A PHILLIPS SCREWDRIVER
- > UNIVERSAL 6-IN-1 LATCH: DRIVE IN, SQUARE MORTISE AND RADIUS CORNER WITH ADJUSTABLE BACKSET: 2-3/8" (60 mm) – 2-3/4" (70 mm)
- > INCLUDES ANTI-PRY COLLAR FOR REINFORCED SECURITY
- > HIGH TENSILE STEEL ANTI-SAW DEADBOLT WITH 1" THROW
- > STANDARD BORE HOLES: 2-1/8" (54 mm) ALSO FITS SMALL DEADBOLT BORE: 1-1/2" (38 mm)
- > FITS STANDARD DOOR THICKNESS: 1-3/8" TO 1-3/4" (35-45 mm)
- > FULL LIP RADIUS CORNER SPRING LATCH STRIKE WITH ADJUSTABLE TAB
- > HIGH SECURITY DEADBOLT STRIKE
- > SC1 KEYWAY, PACKAGED IN KD

GRADE  
**3**

ANSI GRADE 3



#### FULL KEYING SERVICES AVAILABLE

5 pin SC1 keyway, packaged in Keyed Different.



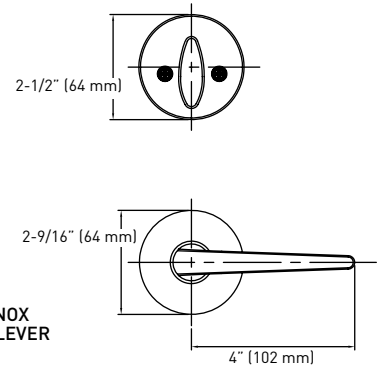
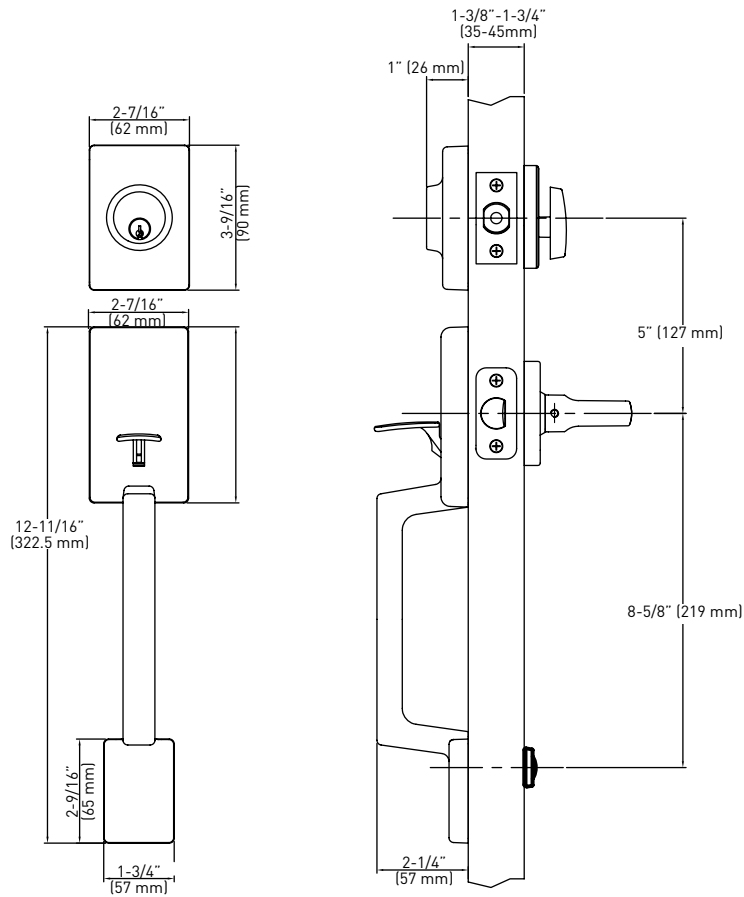
#### EXTENSION KIT AVAILABLE

Optional Extension Kit works to accommodate doors that are 2-1/4" thick.



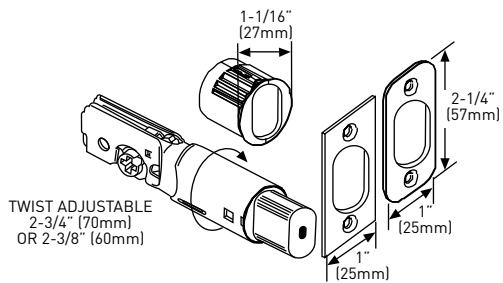
LIMITED LIFETIME MECHANICAL & FINISH WARRANTY

BUILDER PACK	AGED BRONZE 10B+	SATIN NICKEL 15	MATTE BLACK 19	POLISHED CHROME 26	SATIN CHROME 26D	CASE QTY
Straight Handleset	30-D0686	30-D0666	30-D0696	30-D0626	30-D0646	6



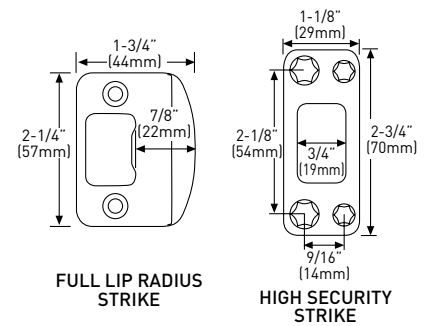
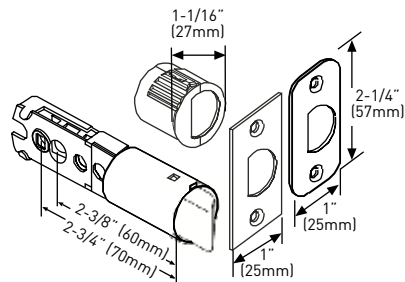
**EQUINOX**  
**INSIDE LEVER**

**6-IN-1 ADJUSTABLE DEADBOLT LATCH**



TWIST ADJUSTABLE  
2-3/4" (70mm)  
OR 2-3/8" (60mm)

**6-IN-1 FIXED HANDLESET LATCH**



**FULL LIP RADIUS**  
**STRIKE**

**HIGH SECURITY**  
**STRIKE**

