

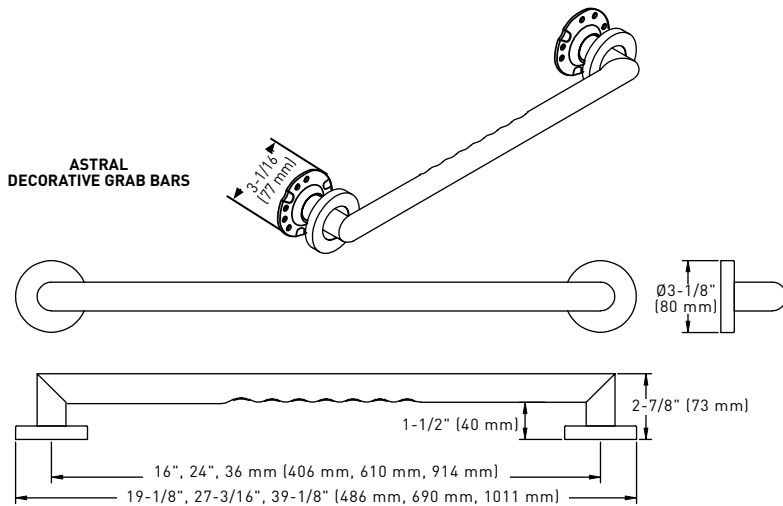
FEATURES

- › CONCEALED MOUNT
- › ERGONOMIC, NON-SLIP FINGER GRIP
- › 304 STAINLESS STEEL CONSTRUCTION
- › BAR TUBE GAUGE 20
- › FLANGE GAUGE 14
- › FLANGE COVER GAUGE 24
- › MAXIMUM WEIGHT CAPACITY OF 300 LBS/136 KG PULL
- › 1-1/4" O.D. (32 mm)

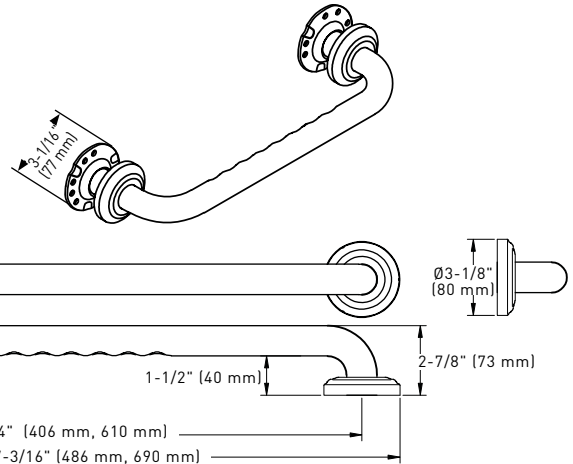


MEETS ADA STANDARDS

LIMITED LIFETIME WARRANTY



**ASTRAL
DECORATIVE GRAB BARS**



**BRENTWOOD
DECORATIVE GRAB BARS**

MEASUREMENTS ARE FOR REFERENCE ONLY. TAYMOR RESERVES THE RIGHT TO CHANGE THE PRODUCT SPECS WITHOUT NOTICE. FOR PRODUCT WARRANTY, PLEASE VISIT TAYMOR WEBSITE FOR DETAILS.

DESCRIPTION	BUILDER PACK			RETAIL PACK		
	POLISHED STAINLESS STEEL 32	OIL RUBBED BRONZE 10B	CASE QTY.	POLISHED STAINLESS STEEL 32	OIL RUBBED BRONZE 10B	CASE QTY.
1-1/4" (32 mm) DIA. DECORATIVE CONCEALED MOUNT GRAB BARS						
ASTRAL 16" C-C (406 mm)	N/A	N/A		03-6916PSS	03-6916SSBRN	3
ASTRAL 24" C-C (610 mm)	N/A	N/A		03-6924PSS	03-6924SSBRN	3
ASTRAL 36" C-C (914 mm)	01-6936PSS	N/A	5	N/A	N/A	
BRENTWOOD 16" C-C (406 mm)	N/A	N/A		03-7916PSS	03-7916SSBRN	3
BRENTWOOD 24" C-C (610 mm)	N/A	N/A		03-7924PSS	03-7924SSBRN	3

