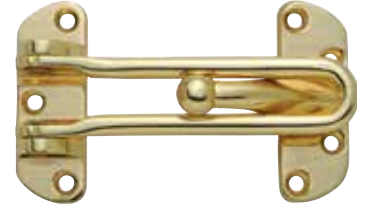
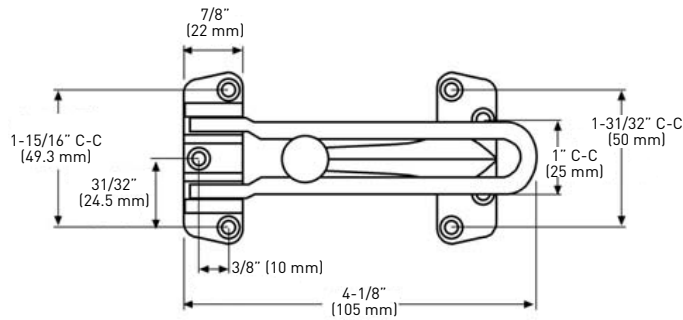


SPECIFICATIONS

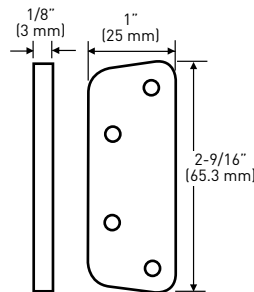
- › ZINC DIECAST CONSTRUCTION
- › ALLOWS PARTIAL DOOR OPENING WHILE DETERING FORCED ACCESS
- › COMPLETE WITH SCREWS



POLY BAGGED WITH UPC	POLISHED BRASS 3	DULL CHROME	CASE QTY
DOOR GUARD	25-3080B	25-3080DC	10

SPECIFICATIONS

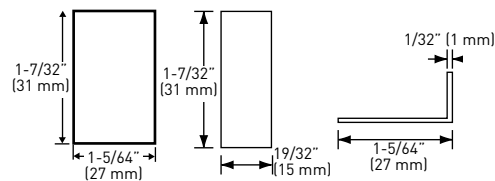
- › BLACK RUBBER
- › FOR USE WITH 25-3080 DOOR GUARD



POLY BAGGED WITH UPC	BLACK RUBBER	CASE QTY
DOOR GUARD SHIM	25-3081	50

SPECIFICATIONS

- › PROTECTS DOOR FRAME FROM OPEN ARM OF DOOR GUARD
- › ALUMINUM



POLY BAGGED WITH UPC	POLISHED BRASS 3	DULL CHROME	CASE QTY
DOOR FRAME PROTECTOR	25-B3082B	25-B3082DC	50

MEASUREMENTS SUBJECT TO A 3% VARIANCE

MEASUREMENTS ARE FOR REFERENCE ONLY. TAYMOR RESERVES THE RIGHT TO CHANGE THE PRODUCT SPECS WITHOUT NOTICE. FOR PRODUCT WARRANTY, PLEASE VISIT TAYMOR WEBSITE FOR DETAILS